

Vertical blinds

Inside fit

bargain
blinds

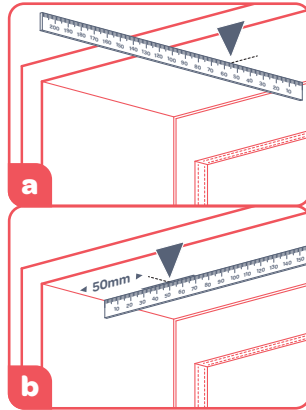
Getting started

Being careful not to damage the blind or cords when cutting through the packaging, unpack the blind and check all parts are included:

- 1 x vertical head rail
- Top fix clips with 1 x screw per clip
- Vertical slats with chains attached
- 1 x cord and 1 x chain tensioner

Tools required:

- Pencil
- Tape measure
- Battery drill with #2 square drive or screwdriver equivalent for the mounting brackets
- #1 square drive for the cord tensioner

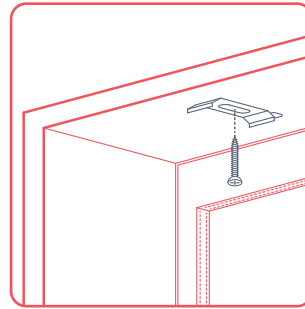


Step 1

Check door handles and window catches that could interfere with blind function. Adjust bracket position to suit.

a. Mark halfway depth position. Position brackets halfway between the rear and the front of the frame with a minimum of 55mm clearance from the rear (glass) to allow the blades to turn.

b. Mark 50mm from frame edge. Where these marks intersect is your screw hole position.

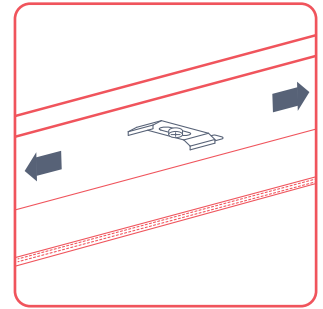


Step 2

Pre-drill a hole on this mark before fixing the first bracket with the long tab of the clip facing towards the rear, away from you.

Repeat this procedure at the other end of the frame for the last bracket.

Fix the bracket in at the same frame depth as the first bracket.

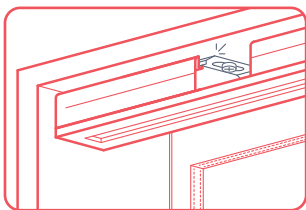


Step 3

Now position and fix the additional brackets evenly between the first and last brackets and at the same depth.

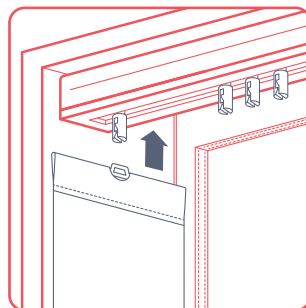
Note: Read the supplied paperwork to ensure the control side of the headrail is on the correct side. Left control to the left side or right control to the right side and follow step 4.

Tip: Should a blade become misaligned, rotate the blades to the closed position using the chain. Once closed, slowly but firmly continue to pull on the chain. Once you hear a clicking sound, continue to pull until the blades are back in alignment.



Step 4

Hold the vertical headrail close to the brackets. Engage the front lip of the headrail into the front lip of the brackets. Rotate the rear of the track up and forward to snap the track into place.



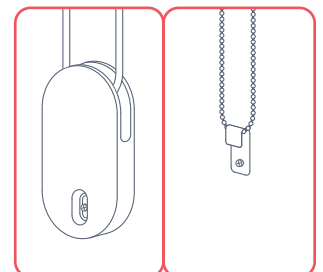
Step 5

Fitting the slats. Using the cord and chain, rotate the headrail carriers to the open position. Unroll the slats carefully

and keep together. Each blind is sent with an extra slat.

Take the first slat and insert into the carrier clip of the headrail. Gently raise the hanger and click into place.

Continue along the headrail inserting the slats until finished. Rotate the chain to check the slats open and close together. Pull the cord to ensure the blind traverses smoothly in both directions along the headrail.



Step 6

Using the screws provided, secure the child safety tensioner for both the chain and cord to the inside of the window frame.

Tip: Don't pull the chain tensioner completely tight, leave a little bit of give to make operating the blind easier.

Tip: Should you need to release the headrail at any stage, push upwards on the rear lip of the clip with your thumb or a flat bladed screwdriver and the headrail will release and pivot downwards.