

Honeycomb blinds

Inside fit

bargain
blinds

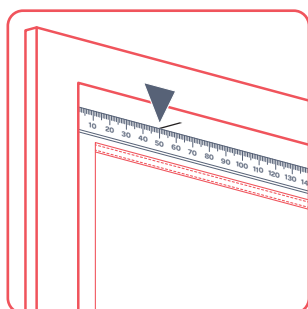
Getting started

Being careful not to damage the blind or cords when cutting through the packaging, unpack the blind and check all parts are included:

- Top fixing brackets with 2 x screws per bracket
- For systems that aren't cordless 1 x cord cleat with 2 x screws

Tools required:

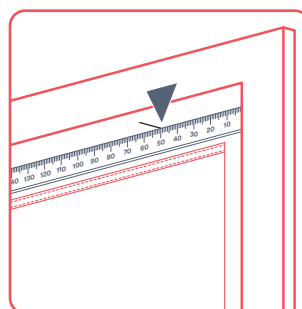
- Pencil
- Tape measure
- Electric screwdriver
- #2 square drive for the mounting brackets
- #1 square drive for the cord cleat



Step 1

Measure / mark left bracket.

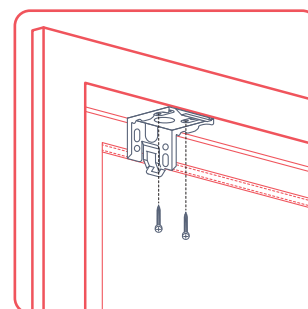
Measure inwards 50mm at the left inside top of the window frame and mark with a pencil. This marks the outer edge of the left bracket.



Step 2

Measure / mark right bracket.

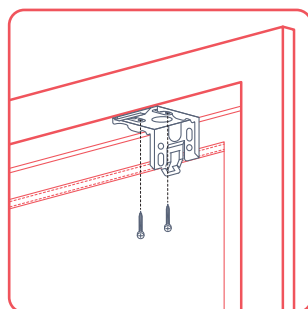
Measure inwards 50mm at the right inside top of the window frame and mark with a pencil. This marks the outer edge of the right bracket.



Step 3

Fix left bracket with screws.

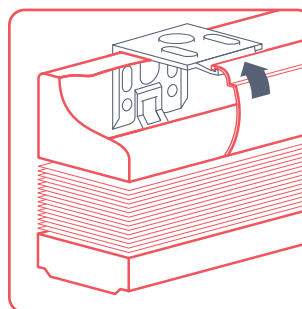
Line the left edge of the bracket with marked line in step 1 on the underside of the window frame. Screw both screws vertically into the circular holes on the underside of the bracket.



Step 4

Fix right bracket with screws.

Line the right edge of the bracket with marked line in step 2 on the underside of the window frame. Screw both screws vertically into the circular holes on the underside of the bracket.



Step 5

Mounting blinds to brackets.

Line the blinds up horizontally with both brackets on either side of the window. While tilting the blinds towards you, slightly hang the top edge of the blinds onto the latch on top of the brackets. Once both sides are hanging off the bracket, push back and allow the clip on the bottom of the bracket to snap into the back of the blinds.

Blind operation:

When first installed please allow 24 hours for your shade to drop completely to its actual height. To keep the blinds operating smoothly it is recommended to use them every 5 to 7 days to avoid the fabric sitting stationary long term.

Space remaining brackets evenly between the outside brackets being careful that they don't line up with apparatus in the head rail (cordless option only).

