

Roman blinds corded

Outside fit

bargain
blinds and
curtains

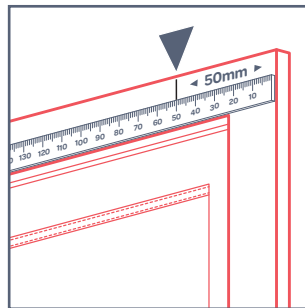
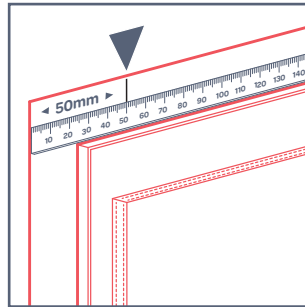
Getting started

Be careful not to damage the blind when removing the packaging and check that the following parts are included:

- Roman Blind
- L-brackets with 1 x 50mm screw per bracket (number of brackets depends on the width of the blind)
- Self-tapping 15mm screws, one per bracket
- Wall cleat with screws

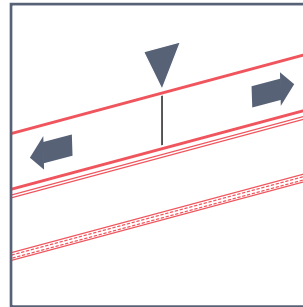
Tools required:

- Pencil
- Tape measure
- Power drill with a 3mm drill bit
- #2 square drive for the mounting brackets
- #1 square drive for the wall cleat



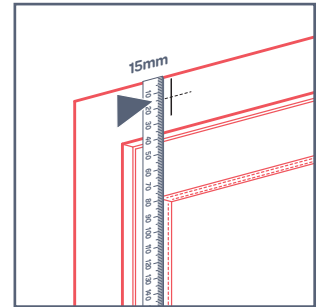
Step 1

Find the position you originally measured from when ordering your blind. At this height, using the outer edge of the window frame as a guide, measure inwards and mark 50mm; do this on both sides. This is where your end brackets will go.



Step 2

Space the remaining brackets evenly between the end brackets and mark the wall, careful to not interfere with the cords and eyes in the baton.

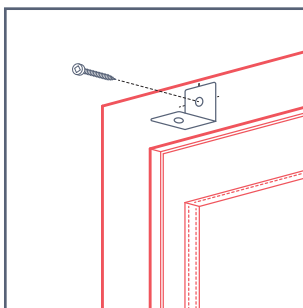


Step 3

Next, measure down 15mm from where the top of the blind will sit to create a cross on the first marks.

Tip: If installing a floor length blind, measure up from the floor the length of the blind drop less 20mm instead.

Note: Our illustrations show the blind fitting to the window frame. If you measured to fit to the wall above the window frame, measure from where you originally measured when ordering.

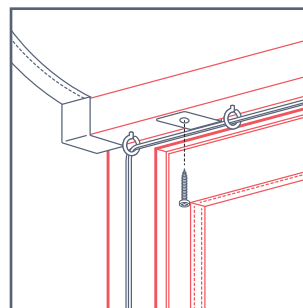


Step 4

Pre-drill holes using a 3mm drill bit on the crosses and fix a bracket at each site.

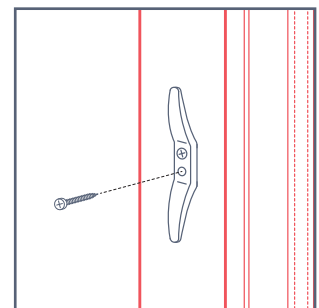
Ideally screw into wood behind the wall lining (plasterboard). If no wood is available here, check at locations 100mm and 150mm in from each end and attach brackets here if you find wood. If there is still no wood available, place a mark at the first available wood and another 50mm in from each end.

Tip: Use a stud finder to find wood.



Step 5

Attach the blind to the L-brackets by screwing up through the bottom of the bracket into the baton using the 15mm self-tapping screws provided.



Step 6

Fix the cleat to the wall or window frame below the control end in a way that doesn't interfere with the operation of the blind yet allows for winding the excess cord on when the blind is in the raised position.