

Roman blinds corded

Inside fit

bargain
blinds and
curtains

Getting started

Be careful not to damage the blind when removing the packaging and check that the following parts are included:

- Roman blind
- Self-tapping screws (number depends on the width of the blind)

- Wall cleat

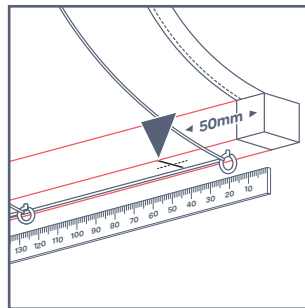
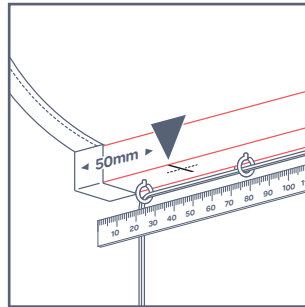
Tools required:

- Pencil
- Tape measure
- Power drill with a 3mm drill bit
- #2 square drive for the fixing screws
- #1 square drive for wall cleat

Lay your roman blind upside down on a clean surface. Count the number of self-tapping screws provided; there should be one less than the number of cords used in the blind.

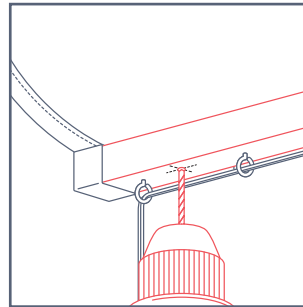
Please note:

No brackets are required for this type of blind; simply fix the blind's baton directly to the inside top of the window frame.



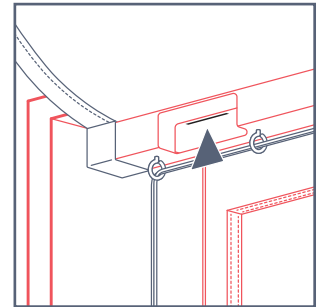
Step 1

Measure 50mm in from each end and place a mark on the underside of the baton. Mark the location of the remaining screws, spaced evenly between the two ends.



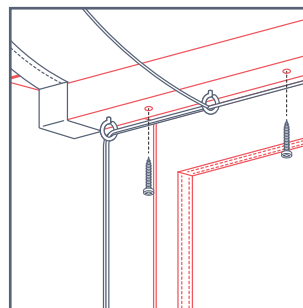
Step 2

Predrill holes through the baton and fabric at each mark using a 3mm bit and start a screw into each hole.



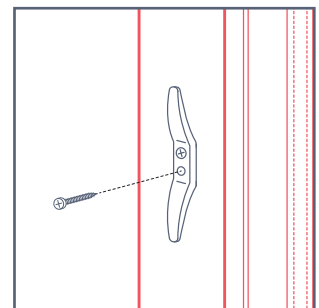
Step 3

Decide how far back in the sill you want the blind to sit. Holding the blind in place, make a mark at the back of the baton to use as a guide when fixing. Place marks on both sides of the window at the same distance back.



Step 4

Holding the blind in place with one hand, line up the back of the wooden baton with the marks on the window frame and drive the middle screw (or screw closest to the middle) through the baton and into the window frame. Repeat with all remaining screws.



Step 5

Fix the cleat to the wall or window frame below the control end in such a way that it doesn't interfere with the operation of the blind, yet allows for winding the excess cord on when the blind is in the raised position.