

Roman blinds chain

Inside fit

bargain
blinds and
curtains

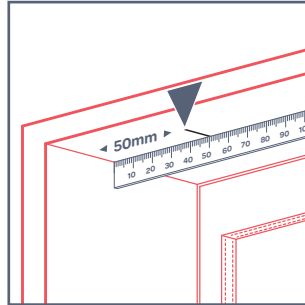
Getting started

Be careful not to damage the blind when removing the packaging and check that the following parts are included:

- Roman Blind, chain controlled
- Top fix brackets with 1 x screw per bracket (number of brackets depends on the width of the blind)

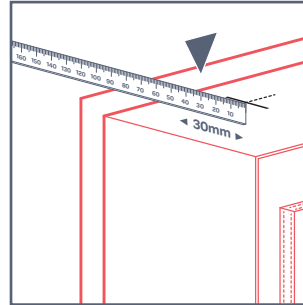
Tools required:

- Pencil
- Tape measure
- Power drill with a 3mm drill bit
- #2 square drive for the mounting brackets
- #2 square screwdriver



Step 1

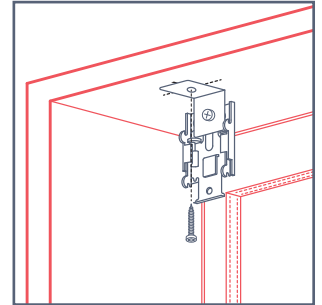
Measure in 50mm from the top left corner of the window frame and make a mark.



Step 2

Measure back from the front of the window frame 30mm and make a cross on your first mark to fit your blind at the front of the sill. To fit the blind closer to the glass, measure further back.

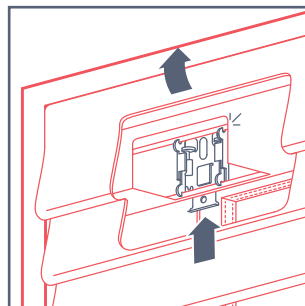
Repeat steps 1-2 on the right side, ensuring you measure the same distance from the front of the window frame.



Step 3

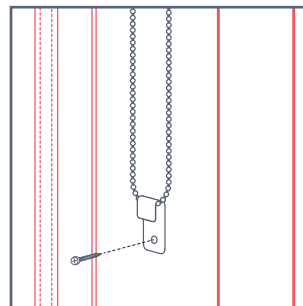
Pre-drill a hole using a 3mm drill bit and fix a bracket at each site using a single screw up through the bracket.

Position the bracket with the short side up and the long side to the back. Space the remaining brackets evenly between the first and last.



Step 4

Raise the blind into place and starting in the middle, hook the headrail under the lower hook on the bracket. Push up on the headrail while tilting the top of the blind away from you to 'click' the top of the headrail into place. Repeat with the remaining brackets.



Step 5

Slip a chain tensioner over the chain and let it fall to where it will sit naturally. Fix the tensioner to the wall by pre-drilling a hole before fixing with the screw provided.

Tip: For easier operation, don't make the chain too tight.