

PVC and wooden venetian blinds

Outside fit

bargain
blinds and
curtains

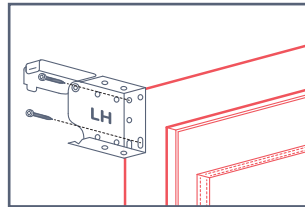
Getting started

Be careful not to damage the blind or cords when removing the packaging. Unpack the blind and check the following parts are included:

- Venetian blind
- 1 x pair of end brackets (plus centre brackets depending on blind width)
- 2 x screws per bracket
- 1 x pelmet with velcro tabs

Tools required:

- Pencil
- Tape measure
- Electric screwdriver
- #2 square drive

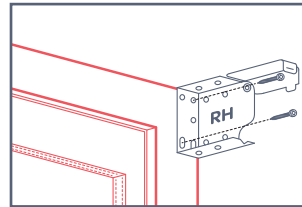


Step 1

1 x LH bracket
2 x screws

At the position originally measured from, fix the left bracket (labelled LH) to the architrave or wall using two of the screws provided.

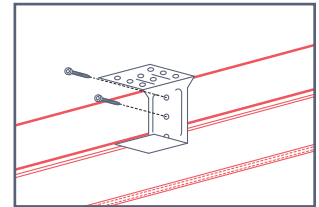
Tips: If positioning near the edge of the frame/architrave, pre-drill the holes to prevent splitting. If fixing to the wall you may need to pack out the brackets and use longer screws to allow the blind to clear the window reveal when installed.



Step 2

1 x RH bracket
2 x screws

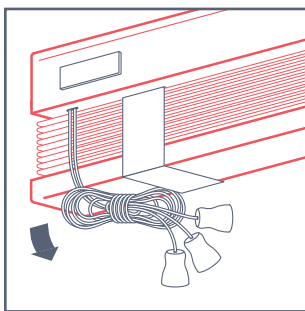
Repeat step 1 but on the right side using the bracket labelled RH.



Step 3

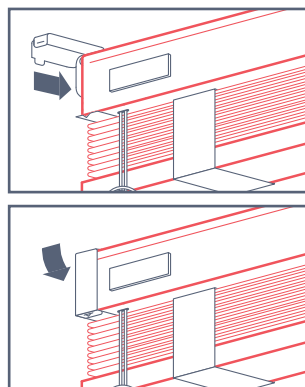
Centre brackets (if supplied)
Screws (if supplied)

If the blind includes centre brackets, space them evenly between the two end brackets being careful they **do not** line up with the strings in the top of the blind when installed.



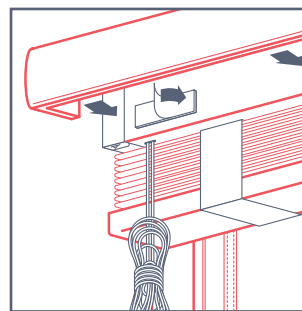
Step 4

Remove the control cord bundle from the top of the headrail, leaving the fabric ties that hold the blind together.



Step 5

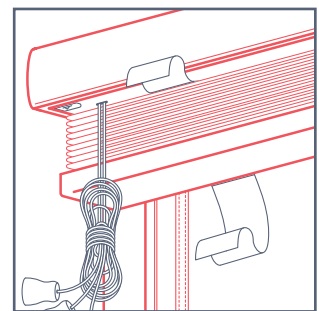
Open the end bracket latches and place the headrail into the brackets, keeping your control cords on the correct side. Close the latches firmly, ensuring they 'click' into place.



Step 6

1 x pelmet
Velcro tabs

Peel the tape off the velcro tabs attached to the headrail. Position the pelmet level with the top of the blind and attach by pressing firmly against the velcro tabs.



Step 7

While holding the blind in place, carefully untie the fabric straps.

Blind operation: To lower, hold the group of cords across the face of the blind and pull gently to release the cord lock before lowering the blind. Tilt the blind using the two tassels.