

Vertical blinds

Outside fit

bargain
blinds

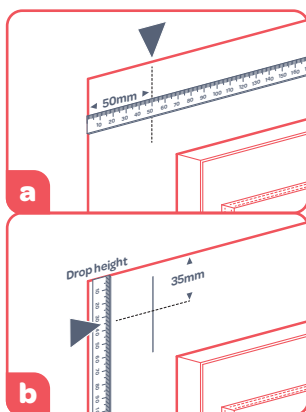
Getting started

Being careful not to damage the blind or cords when cutting through the packaging, unpack the blind and check all parts are included:

- 1 x vertical head rail
- Outside fit brackets with 1 x screw per bracket
- Vertical slats with hangers and chains attached

Tools required:

- Pencil
- Tape measure
- Battery drill with #2 square drive or screwdriver equivalent for the mounting brackets

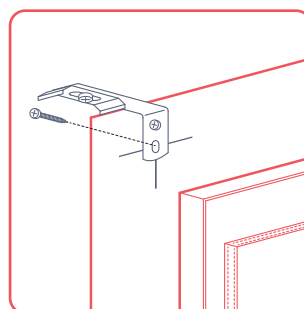


Step 1

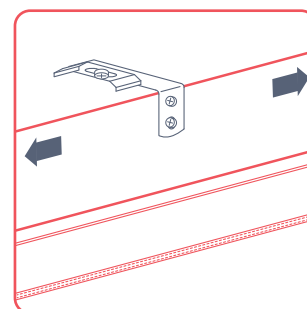
Check door handles and window catches that could interfere with blind function. Adjust bracket position to suit.

a. Place a mark 50mm in from the left-hand side of where the blind was measured from. In this image, the blind was measured from the outside edge of the window frame.

b. Mark the position of the screw hole – If you measured the drop of the blind from the



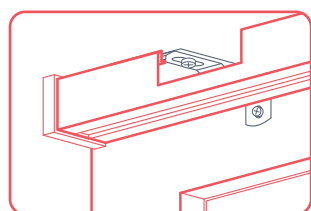
top of the architrave, measure down 15mm and place a mark across the line made in step 1a to mark the position of the screw hole with a cross. If you didn't measure from the top of the architrave, measure from the bottom up, to the drop height less 15mm (found on your paperwork) to mark the position of the screw hole. Repeat steps 1a and 1b to fix the bracket on the right-hand side of the window.



Step 2

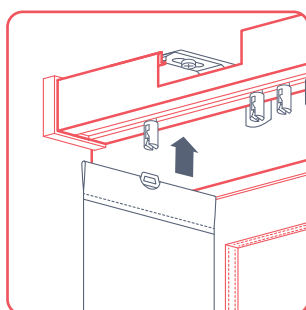
With any remaining brackets (supplied if required) space them evenly between the left and right brackets and attach the same way.

Read the supplied paperwork to ensure the control side of the headrail is on the correct side. Left control to the left side or right control to the right side and follow step 3.



Step 3

Hold the vertical headrail close to the brackets. Engage the front lip of the headrail into the front lip of the brackets. Rotate the rear of the track up and forward to snap the track into place.



Step 4

Fitting the slats. Using the cord and chain, rotate the headrail carriers to the open position. Unroll the slats carefully and

keep together. Each blind is sent with an extra slat.

Take the first slat and insert into the carrier clip of the headrail. Gently raise the hanger and click into place.

Continue along the headrail inserting the slats until finished. Rotate the chain to check the slats open and close together. Pull the cord to ensure the blind traverses smoothly in both directions along the headrail.

Tip: Should a blade become misaligned, rotate the blades to the closed position using the chain. Once closed, slowly but firmly continue to pull on the chain. Once you hear a clicking sound, continue to pull until the blades are back in alignment.

Tip: Should you need to release the headrail at any stage, push upwards on the rear lip of the clip with your thumb or a flat bladed screwdriver and the headrail will release and pivot downwards.