

Blinds measuring guide

Measuring blinds to get the perfect fit is simple. Follow this guide to ensure that when your blinds arrive they look great and fit even better.

What you will need

- A steel tape measure that reads in millimetres (mm)
- Pencil or pen
- Measure sheet (on the following page)

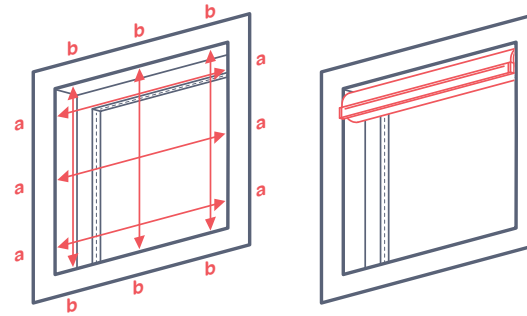
Things to consider

There are two ways to fit your blind, inside or outside the window frame. Where possible, we suggest an inside fit as it keeps the blind close to the glass, providing better insulation and in most cases, better aesthetics. This isn't always possible however due to certain window configurations or door handles.

Make sure there isn't anything in the way of where the blind will hang so you can open and close them fully.

NOTE:

Please provide actual window sizes without deductions as we will make allowances for brackets and controls.



Measuring for an inside fit

Depth

To make sure your blinds will fit inside the window frame, measure the depth from the front of the frame to the first obstruction i.e glass, latches, handles or mullions. Below is a guideline of how much clearance is required:

- Roller blind - 70mm
- Dual roller blind - 100mm
- Honeycomb - 40mm
- Aluminium Venetian - 40mm
- Wooden Venetian - 80mm (includes fascia)
- PVC Venetian - 80mm (includes fascia)

Width (a)

We suggest taking three measurements in three locations within the frame as some windows may not be square:

- One across the top inside the window frame
- One across the middle inside the window frame
- One across the bottom inside the window frame

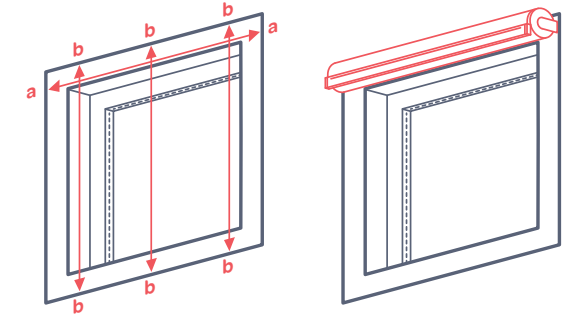
Drop (b)

Also measure the drop in three places:

- One on the left inside the window frame
- One in the middle inside the window frame
- One on the right inside the window frame

Please note:

- Always supply us with the smallest measurement of the three
- Remember to measure to the nearest mm



Measuring for an outside fit

Width (a)

We suggest taking the width measurement at the top of the frame where the brackets are going to be placed. Many people measure from the outside of the architrave on one side to the outside of the architrave on the opposite side to get their width measurement.

Drop (b)

If measuring to a window sill, we suggest measuring from the outside of the architrave on the top of the window down to the window sill in three different places.

If measuring to below the window, we suggest measuring from the outside of the architrave on the top of the window down to where you want the blind to stop.

Please note:

- Always supply us with the smallest measurement of the three
- Remember to measure to the nearest mm

bargain blinds

Blinds measure sheet

bargain blinds

Location

Your reference to identify where the blind is going in your house.

Width

The smallest measurement across the window in **mm**.
Marked (a) on the measuring guide.

Drop

The smallest measurement from the top to the bottom of the window in **mm**.
Marked (b) on the measuring guide.

Blind type

E.g. blackout roller.

Colour

The **colour** you would like the blind to be e.g. black.

Fit

Will the blind fit inside the frame (**inside fit**) or out (**outside fit**).
Make sure there are no window catches in the way for inside fit.

Roll direction

Will the blind roll forwards (**front roll**) or backwards (**back roll**).
Make sure there are no window catches in the way for back roll.

Control side

The side you want the blind controls on (**left or right**).

Control length

How long the control will be from the top of the blind in **mm**.

We've got it covered

Allowances for brackets and other hardware are taken care of at our end so you only need to supply the exact measurement of your window (this chart is for your reference only).

1								
2								
3								
4								
5								
6								
7								
8								
9								
10								
11								
12								

Blind Types	Width	Drop
Roller Blinds	-30mm	N/A
Wooden/Wood look venetian 50mm (Inside fit)	-12mm	-15mm
Wooden/Wood look venetian 50mm (outside fit)	-10mm	0mm
Wooden/Wood look venetian 63mm (Inside fit)	-12mm	-25mm
Wooden/Wood look venetian 63mm (outside fit)	-10mm	-0mm
Aluminium 25mm venetian blinds (inside fit)	-10mm	-5mm
Aluminium 25mm venetian blinds (outside fit)	0mm	0mm
Vertical Blinds	-17mm	-7mm
Honeycomb Blinds (Inside Fit)	-2mm	+20mm
Honeycomb Blinds (Outside fit)	-0mm	+20mm