

Roller blinds

Outside fit

bargain
blinds

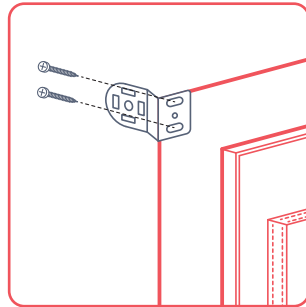
Getting started

Being careful not to damage the blind or chain when cutting through the packaging, unpack the blind and check all parts are included:

- 2 x universal end brackets
- 4 x screws
- 2 x bracket covers
- 2 x ball stops
- 1 x child safety tensioner with screw

Tools required:

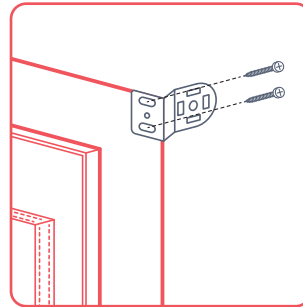
- Pencil
- Tape measure
- Electric screwdriver
- #2 square drive



Step 1

1 x universal end bracket
2 x screws

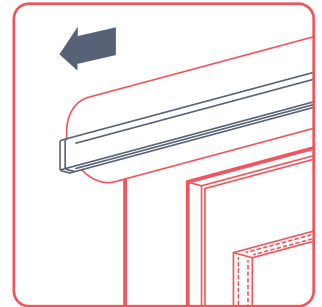
At the position originally measured from, fix one universal end bracket to the architrave or wall on the left side of the window using two of the screws provided.



Step 2

1 x universal end bracket
2 x screws

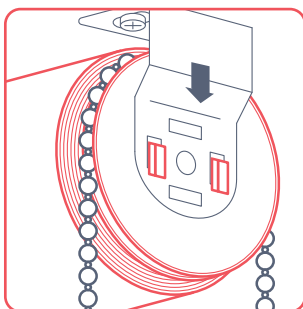
Repeat step 2 on the right side of the window.



Step 3

With clean hands, lift the blind up to the window with the controls on the side selected when ordering.

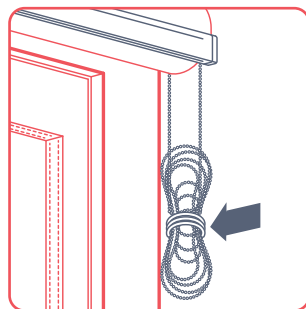
Place the spring pin-end into the bracket first (the opposite end to the chain).



Step 4

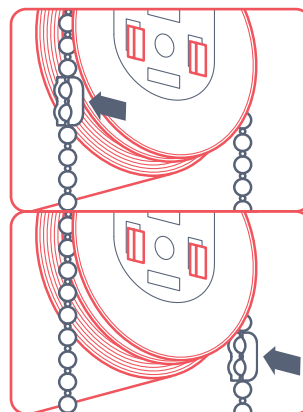
Applying pressure toward the pin end (to depress the pin), move the chain end of the blind into the bracket.

Pull down gently until the hooks at the end of the blind set into the bracket.



Step 5

Remove the rubber band from the chain to operate the blind.



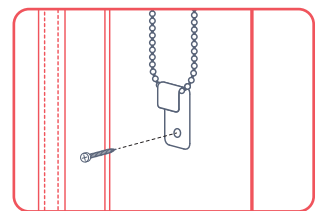
Step 6

2 x ball stops

Attaching ball stops ensures the blind is not wound up or down too far, preventing damage.

Roll the blind to the top of its range, note the position on the chain and attach ball stop.

Roll the blind to the bottom of its range, note the position on the chain and attach ball stop.



Step 7

1 x child safety tensioner with screw
2 x bracket covers

Slide the bracket covers over the brackets. This creates a neater look.

Place the tensioner over the chain and let hang to determine its position.

Using the screw provided, secure the child safety tensioner to the outside of the window frame.

Tip: Don't pull the chain completely tight, leave a little bit of give to make operating the blind easier.