

Blinds measuring guide

Measuring blinds to get the perfect fit is simple. Follow this guide to ensure that when your blinds arrive they look great and fit even better.

What you will need

- A steel tape measure that reads in millimetres (mm)
- Pencil or pen
- Measure sheet (on the following page)

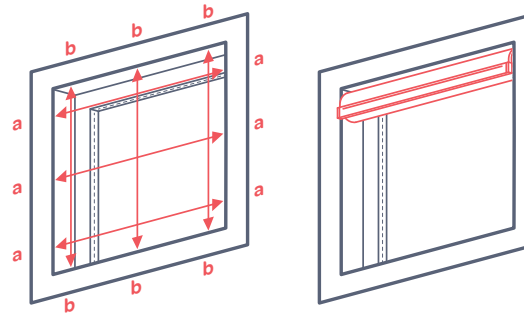
Things to consider

There are two ways to fit your blind, inside or outside the window frame. Where possible, we suggest an inside fit as it keeps the blind close to the glass, providing better insulation and in most cases, better aesthetics. This isn't always possible however due to certain window configurations or door handles.

Make sure there isn't anything in the way of where the blind will hang so you can open and close them fully.

NOTE:

Please provide actual window sizes without deductions as we will make allowances for brackets and controls.



Measuring for an inside fit

Depth

To make sure your blinds will fit inside the window frame, measure the depth from the front of the frame to the first obstruction i.e glass, latches, handles or mullions. Below is a guideline of how much clearance is required:

- Roller blind - 70mm
- Dual roller blind - 100mm
- Honeycomb - 40mm
- Aluminium Venetian - 40mm
- Wooden Venetian - 80mm (includes fascia)
- PVC Venetian - 80mm (includes fascia)

Width (a)

We suggest taking three measurements in three locations within the frame as some windows may not be square:

- One across the top inside the window frame
- One across the middle inside the window frame
- One across the bottom inside the window frame

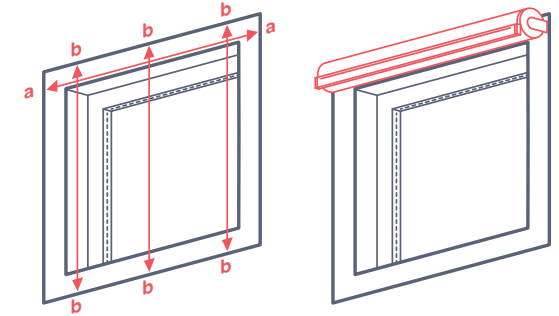
Drop (b)

Also measure the drop in three places:

- One on the left inside the window frame
- One in the middle inside the window frame
- One on the right inside the window frame

Please note:

- Always supply us with the smallest measurement of the three
- Remember to measure to the nearest mm



Measuring for an outside fit

Width (a)

We suggest taking the width measurement at the top of the frame where the brackets are going to be placed. Many people measure from the outside of the architrave on one side to the outside of the architrave on the opposite side to get their width measurement.

Drop (b)

If measuring to a window sill, we suggest measuring from the outside of the architrave on the top of the window down to the window sill in three different places.

If measuring to below the window, we suggest measuring from the outside of the architrave on the top of the window down to where you want the blind to stop.

Please note:

- Always supply us with the smallest measurement of the three
- Remember to measure to the nearest mm

bargain blinds

